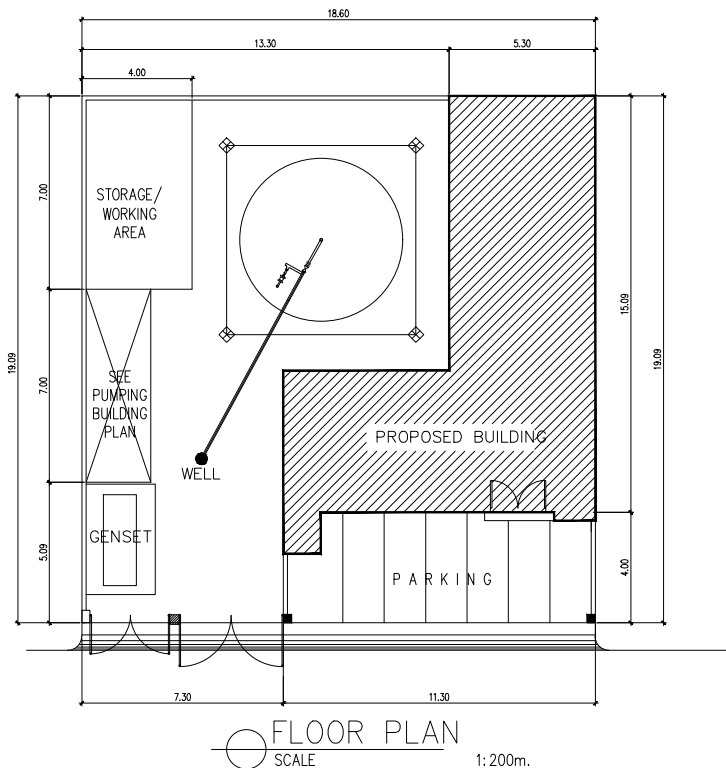




P E R S P E C T I V E



FLOOR PLAN
SCALE 1:200m.

TABLE OF CONTENTS

COVER SHEET (CS):
PERSPECTIVE
SITE DEVELOPMENT PLAN
LOCATION PLAN

ARCHITECTURAL 1 (A1):
FLOOR PLAN
SCHEDULE OF DOORS & WINDOWS

ARCHITECTURAL 2 (A2):
FRONT ELEVATION
REAR ELEVATION
LEFT SIDE ELEVATION
RIGHT SIDE ELEVATION
CROSS SECTION
LONGITUDINAL SECTION

STRUCTURAL 1 (S1):
EXISTING PLAN
FOUNDATION PLAN
DETAIL OF FOOTINGS

STRUCTURAL 2 (S2):
ROOF FRAMING PLAN
DETAIL OF TRUSSES

PLUMBING 1 (P1):
SEWER & PLUMBING LAYOUT
PLUMBING LEGEND

PLUMBING 2 (P2):
DETAIL OF SEPTIC VAULT
DETAIL OF CATCH BASIN
PLUMBING ISOMETRIC

ELECTRICAL 1 (E1):
ELECTRICAL LAYOUT
GENERAL NOTES
ELECTRICAL LEGEND

ELECTRICAL 2 (E2):
SCHEDULE OF LOADS
DETAIL OF PANELBOARD
SINGLE LINE DIAGRAM

REPUBLIC OF THE PHILIPPINES DEPARTMENT OF PUBLIC WORKS TRANSPORTATION AND COMMUNICATION
OFFICE OF THE BUILDING OFFICIAL
DISTRICT / CITY / MUNICIPALITY
LAND USE & ZONING
LINE & GRADE
ARCHITECTURAL
STRUCTURAL
MECHANICAL
ELECTRICAL
PLUMBING



CALAMBA WATER DISTRICT
ENGINEERING DEPARTMENT
PLANNING AND DESIGN DIVISION

24/7 Public Service

LAKEVIEW SUBD., HALANG, CALAMBA CITY

PROJECT TITLE:

PROPOSED OFFICE BUILDING RENOVATION

LOCATION:

NHA Office Brgy. Canlubang, Calamba City, Laguna

AUTOCAD BY: ANGELO DEL PRADO

DESIGNED BY: ANGELO DEL PRADO

CHECKED BY: ENGR. J. A. GILLERA

RECOMMENDED BY: ENGR. J. A. GILLERA

APPROVED BY: MR. E. A. AGUILAR JR.

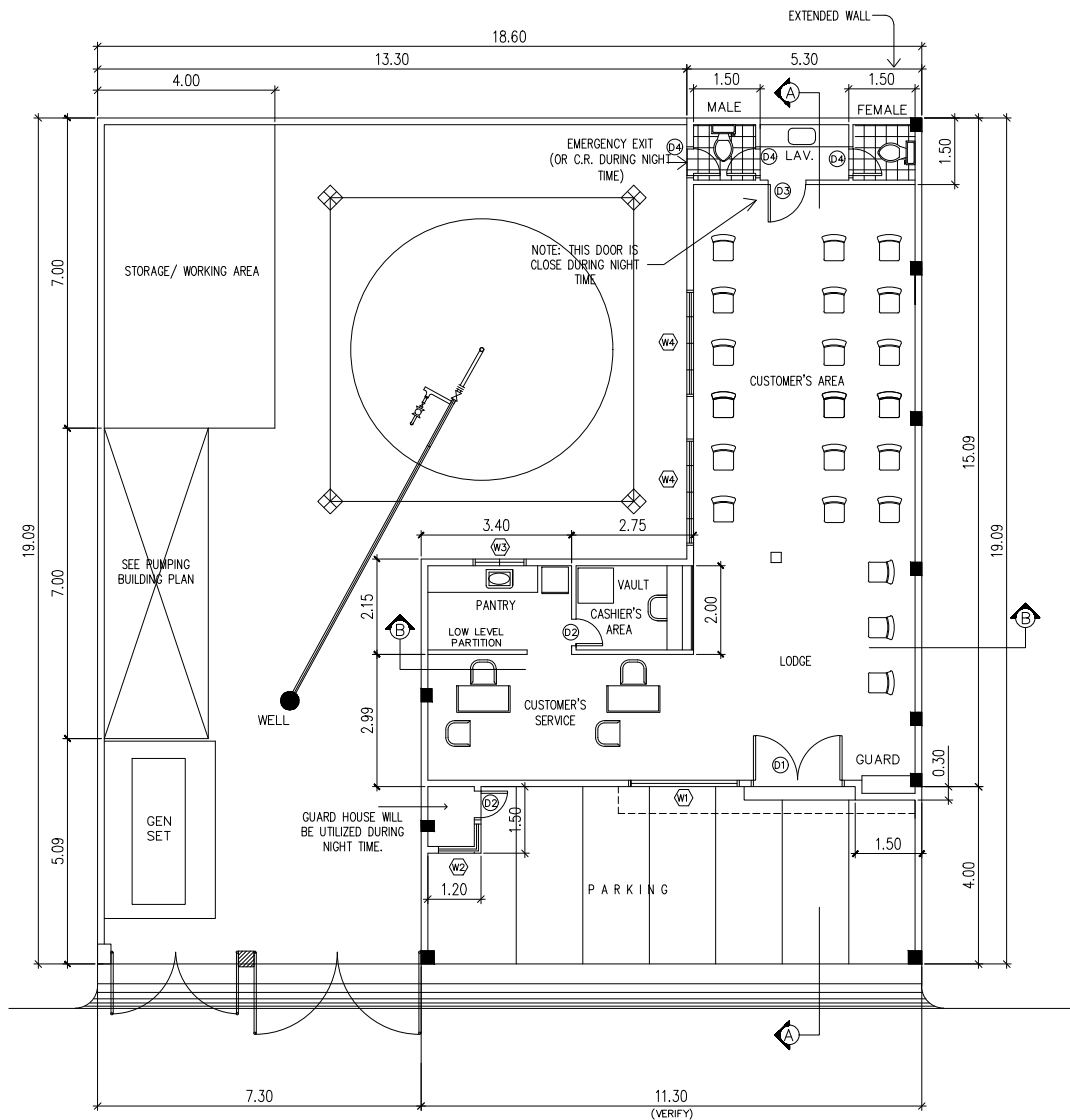
SHEET CONTENTS:

PERSPECTIVE
SITE DEVELOPMENT PLAN
LOCATION PLAN

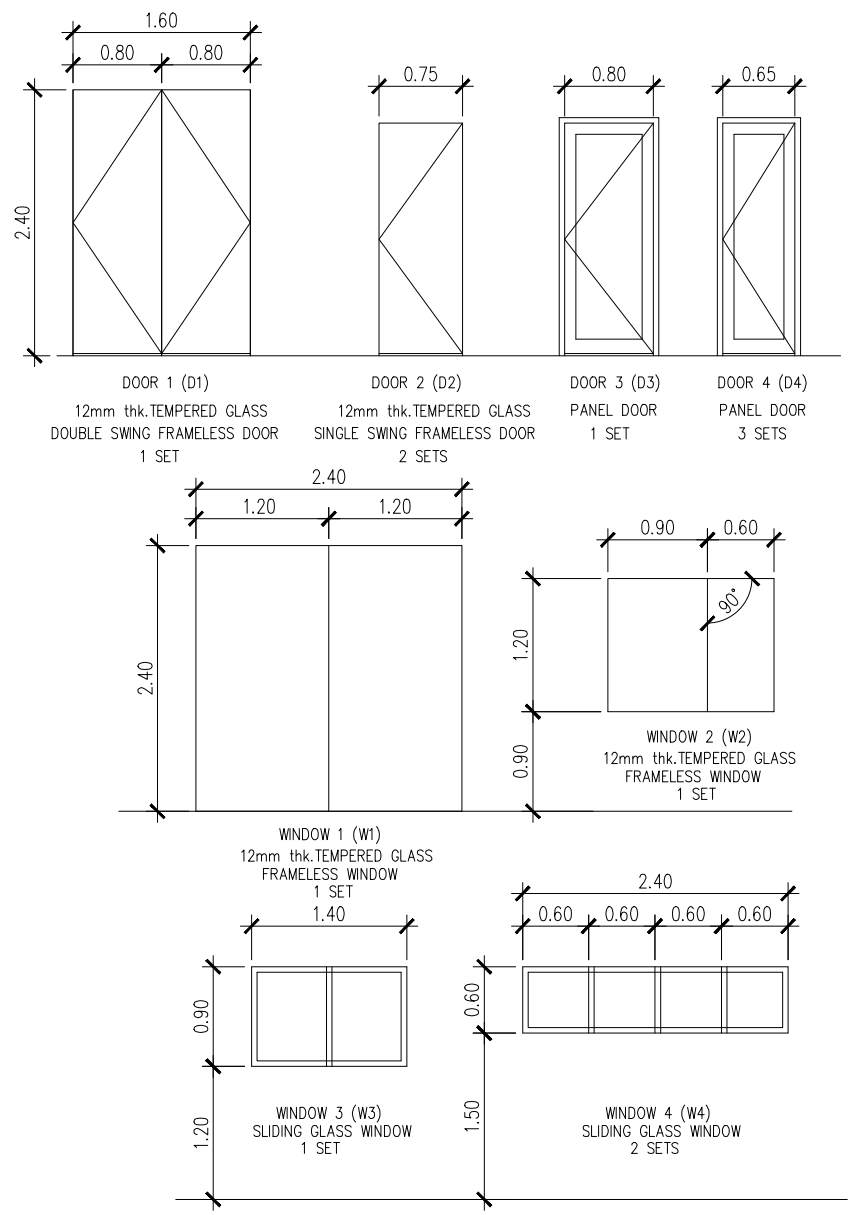
DATE:

SHEET NO.

CS



FLOOR PLAN
SCALE 1:125m.



SCHEDULE OF DOORS & WINDOWS
SCALE 1:50m.

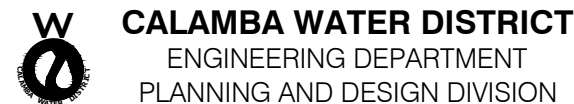
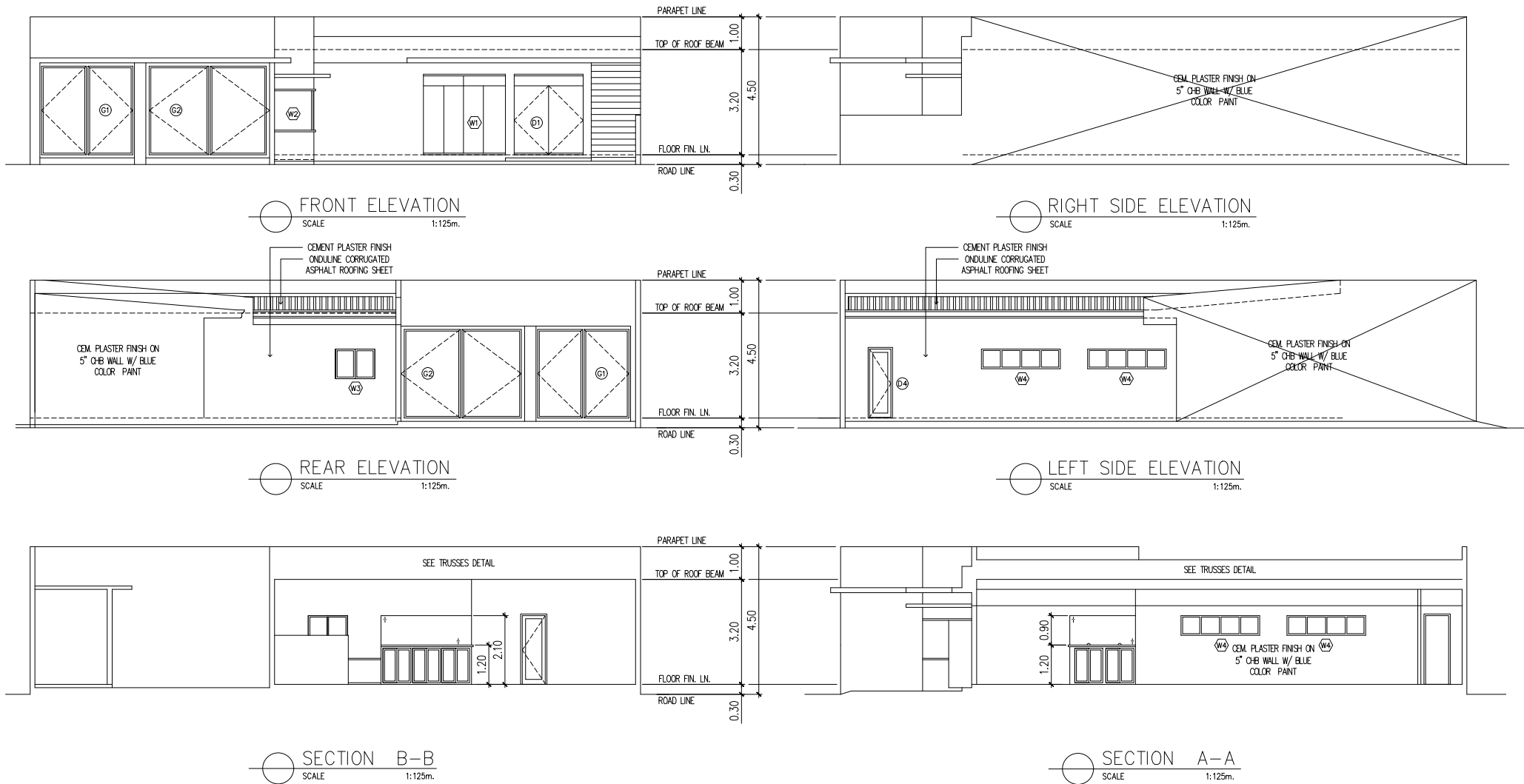
This design or drawing is the sole property of Calamba Water District. No part of this design or drawing may be reproduced or transmitted in any form or by any means without the written consent of its owner.

W CALAMBA WATER DISTRICT
ENGINEERING DEPARTMENT
PLANNING AND DESIGN DIVISION
24/7 Public Service
LAKEVIEW SUBD., HALANG, CALAMBA CITY

PROJECT TITLE:	AUTOCAD BY: ANGELO DEL PRADO
PROPOSED OFFICE BUILDING RENOVATION	DESIGNED BY: ANGELO DEL PRADO
	CHECKED BY: ENGR. J. A. GILLERA
LOCATION:	RECOMMENDED BY: ENGR. J. A. GILLERA
NHA Office Brgy. Canlubang, Calamba City, Laguna	APPROVED BY: MR. E. A. AGUILAR JR.

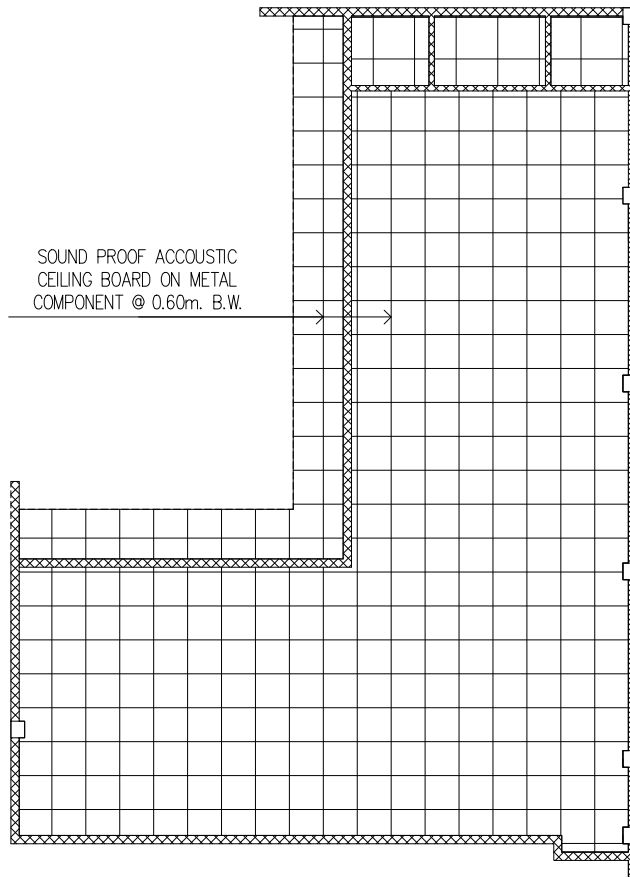
SHEET CONTENTS:	DATE:
FLOOR PLAN SCHEDULE OF DOORS & WINDOWS	SHEET NO.
	A-1

This design or drawing is the sole property of Calamba Water District. No part of this design or drawing may be reproduced or transmitted in any form or by any means without the written consent of its owner.



CALAMBA WATER DISTRICT
 ENGINEERING DEPARTMENT
 PLANNING AND DESIGN DIVISION

PROJECT TITLE:	AUTOCAD BY: ANGELO DEL PRADO	SHEET CONTENTS:	DATE:
PROPOSED OFFICE BUILDING RENOVATION	DESIGNED BY: ANGELO DEL PRADO	PLAN ELEVATION PLAN SECTION	SHEET NO.
	CHECKED BY: ENGR. J. A. GILLERA		A-2
LOCATION:	RECOMMENDED BY: ENGR. J. A. GILLERA		
NHA Office Brgy. Canlubang, Calamba City, Laguna	APPROVED BY: MR. E. A. AGUILAR JR.		



REFLECTED CEILING LAYOUT
SCALE 1:100m.



CALAMBA WATER DISTRICT
ENGINEERING DEPARTMENT
PLANNING AND DESIGN DIVISION

LAKEVIEW SUBD., HALANG, CALAMBA CITY

PROJECT TITLE:

PROPOSED OFFICE BUILDING RENOVATION

LOCATION:

NHA Office Brgy. Canlubang, Calamba City, Laguna

AUTOCAD BY: ANGELO DEL PRADO

DESIGNED BY: ANGELO DEL PRADO

CHECKED BY: ENGR. J. A. GILLERA

RECOMMENDED BY: ENGR. J. A. GILLERA

APPROVED BY: MR. E. A. AGUILAR JR.

SHEET CONTENTS:

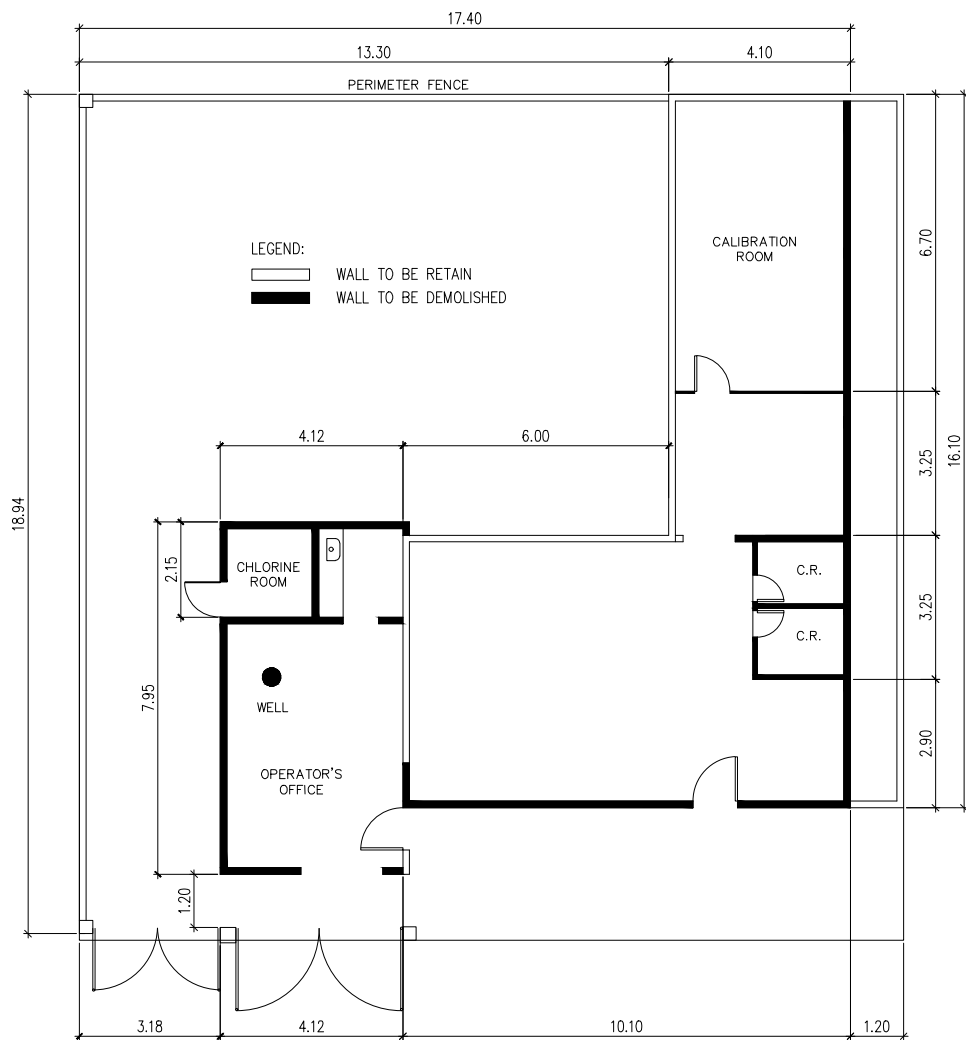
DATE:

SHEET NO.

A-3

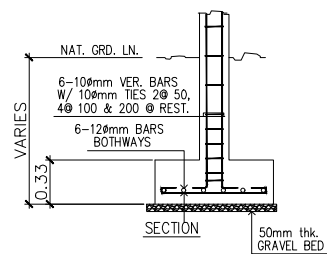
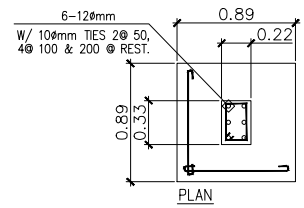
This design or drawing is the sole property of Calamba Water District. No part of this design or drawing may be reproduced or transmitted in any form or by any means without the written consent of its owner.

This design or drawing is the sole property of Calamba Water District. No part of this design or drawing may be reproduced or transmitted in any form or by any means without the written consent of its owner.

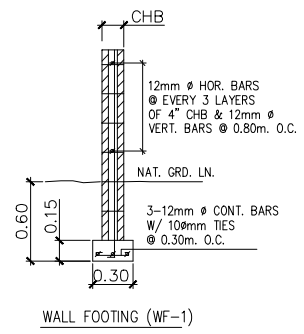


LEGEND:
 WALL TO BE RETAIN
 WALL TO BE DEMOLISHED

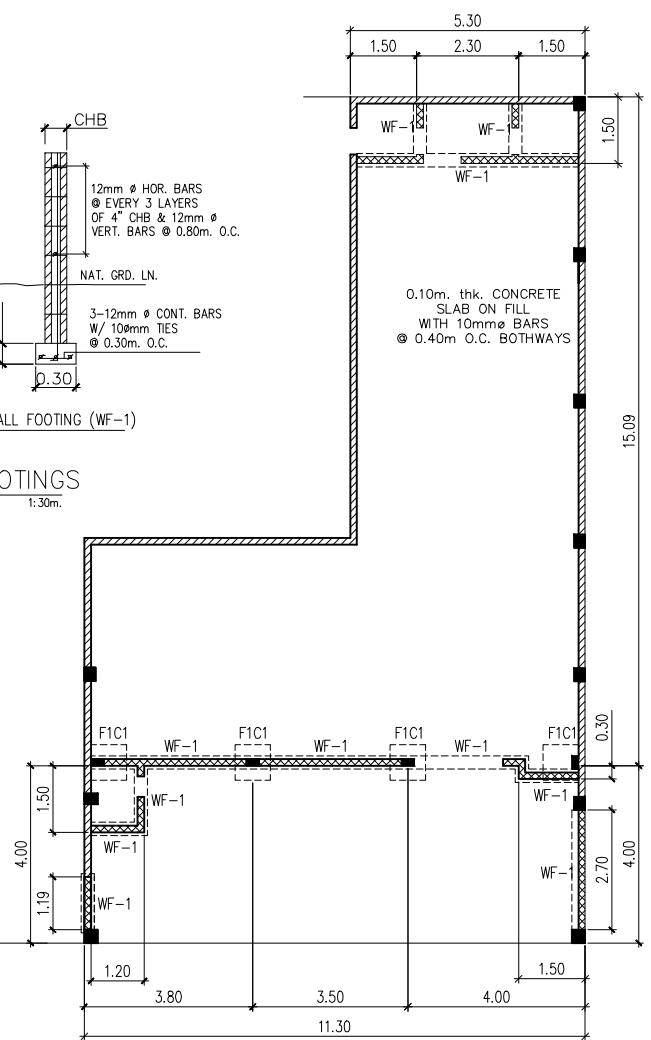
EXISTING FLOOR PLAN
 SCALE 1:125m.



F1C1
 DETAIL OF FOOTINGS
 SCALE 1:30m.



WALL FOOTING (WF-1)



FOUNDATION PLAN
 SCALE 1:125m.

LEGEND:
 EXISTING WALL
 NEW WALL

W CALAMBA WATER DISTRICT
 ENGINEERING DEPARTMENT
 PLANNING AND DESIGN DIVISION

LAKEVIEW SUBD., HALANG, CALAMBA CITY

PROJECT TITLE:
PROPOSED OFFICE BUILDING RENOVATION

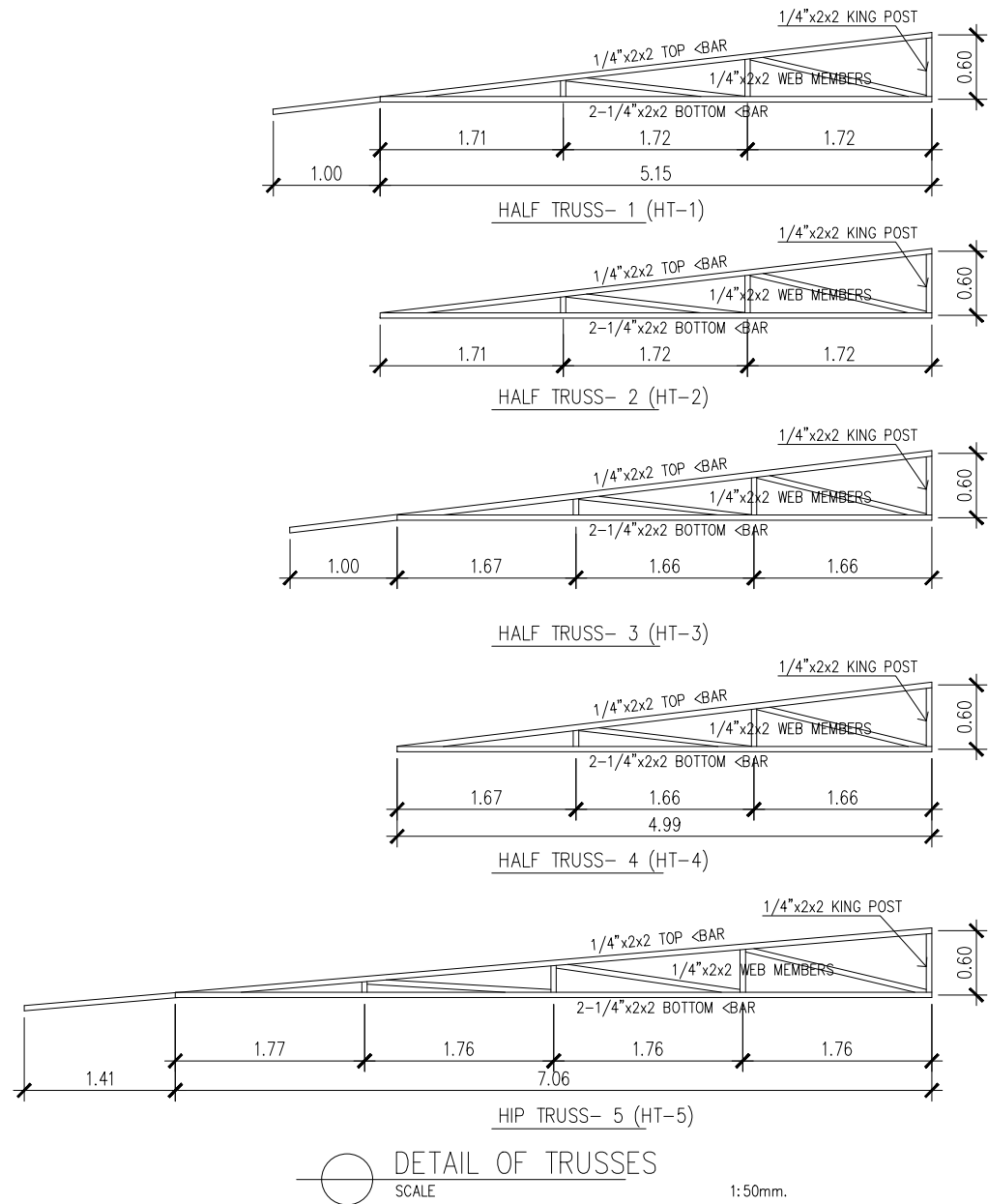
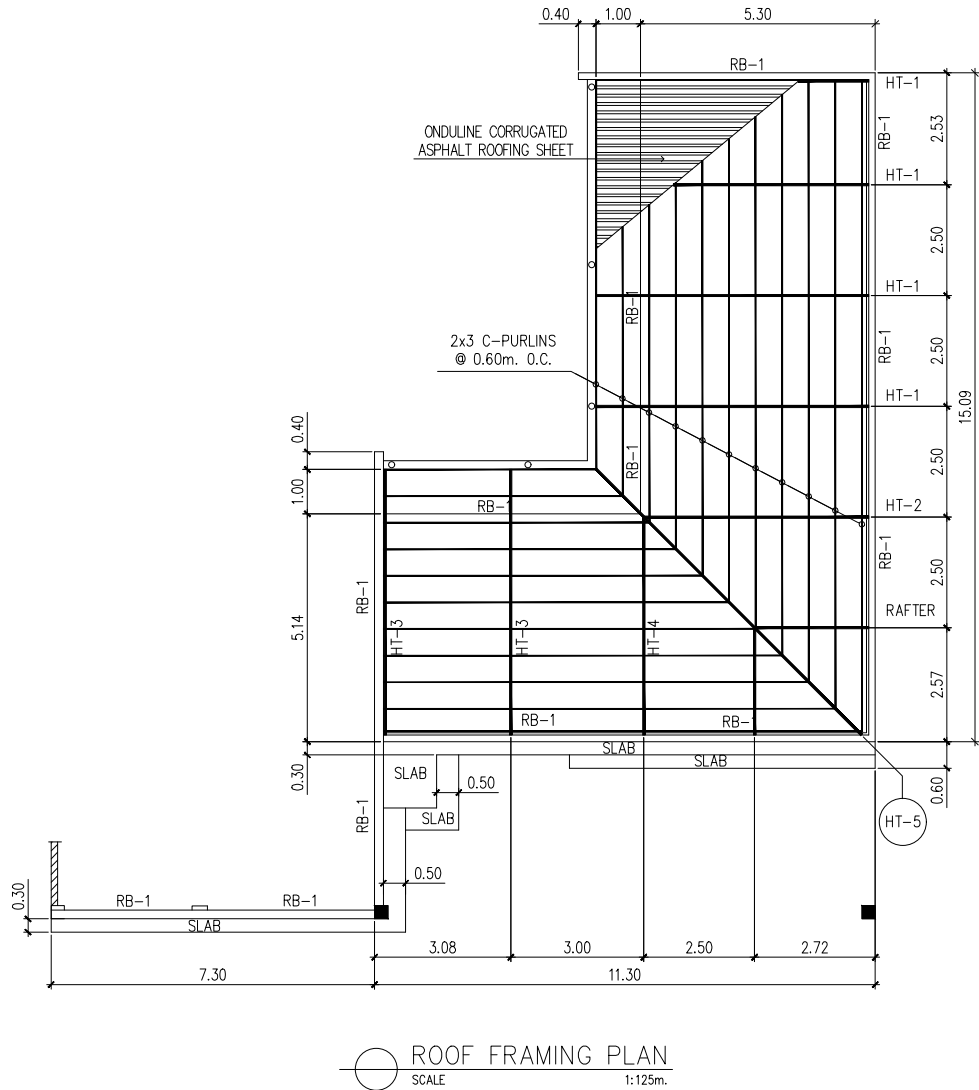
LOCATION:
 NHA Office Brgy. Canlubang, Calamba City, Laguna

AUTOCAD BY: ANGELO DEL PRADO
 DESIGNED BY: ANGELO DEL PRADO
 CHECKED BY: ENGR. J. A. GILLERA
 RECOMMENDED BY: ENGR. J. A. GILLERA
 APPROVED BY: MR. E. A. AGUILAR JR.

SHEET CONTENTS:
 EXISTING PLAN
 FOUNDATION PLAN
 DETAIL OF FOOTINGS

DATE:
 SHEET NO.
S1

This design or drawing is the sole property of Calamba Water District. No part of this design or drawing may be reproduced or transmitted in any form or by any means without the written consent of its owner.



W CALAMBA WATER DISTRICT
ENGINEERING DEPARTMENT
PLANNING AND DESIGN DIVISION

LAKEVIEW SUBD., HALANG, CALAMBA CITY

PROJECT TITLE:
PROPOSED OFFICE BUILDING RENOVATION

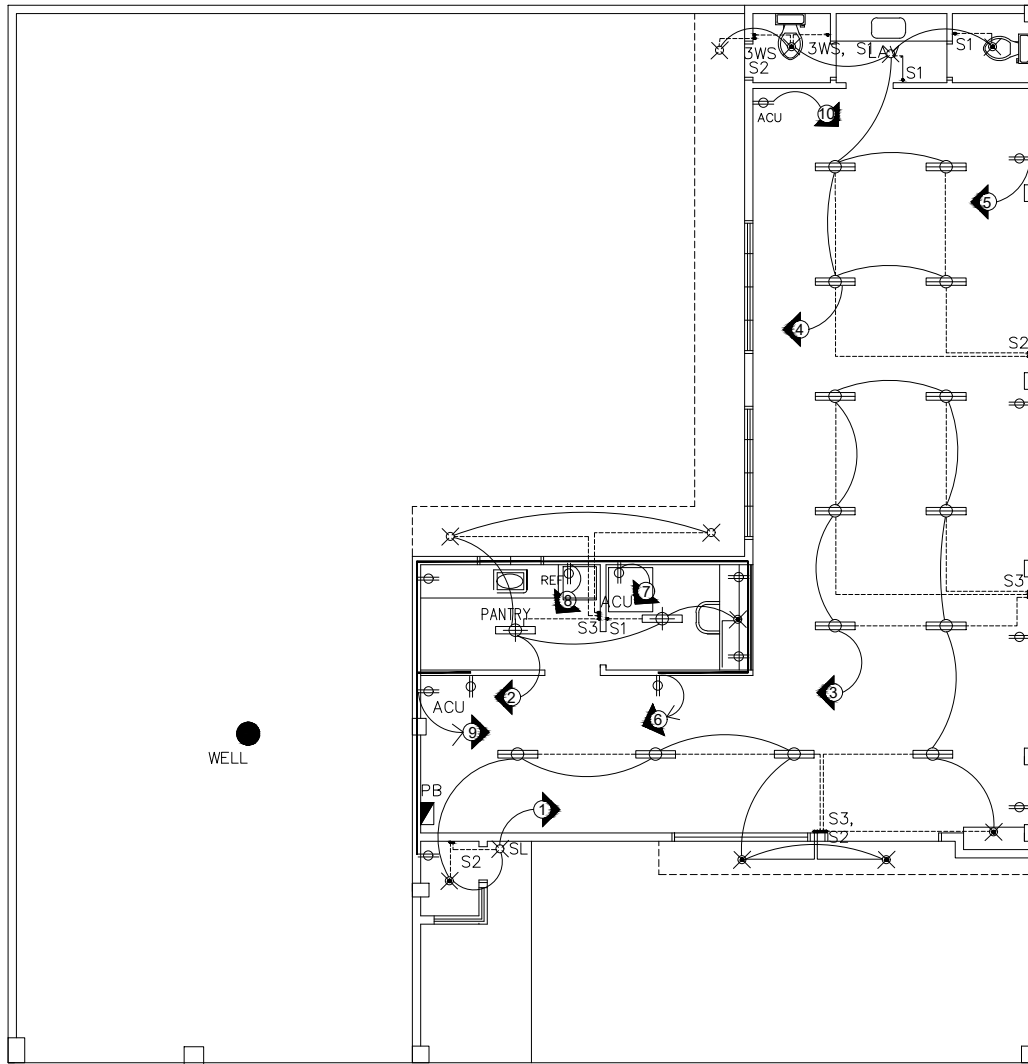
LOCATION:
NHA Office Brgy. Canlubang, Calamba City, Laguna

AUTOCAD BY: ANGELO DEL PRADO
DESIGNED BY: ANGELO DEL PRADO
CHECKED BY: ENGR. J. A. GILLERA
RECOMMENDED BY: ENGR. J. A. GILLERA
APPROVED BY: MR. E. A. AGUILAR JR.

SHEET CONTENTS:
ROOF FRAMING PLAN
DETAIL OF TRUSSES

DATE:
SHEET NO.
S-2

This design or drawing is the sole property of Calamba Water District. No part of this design or drawing may be reproduced or transmitted in any form or by any means without the written consent of its owner.



ELECTRICAL PLAN
SCALE 1:100m.

LEGEND:

- 1-40WATTS FLOURESCENT TUBE LUMINAIRE TYPE LIGHTING (EMBEDDED TO CEILING)
- 1-15WATTS BULB OUTLET LIGHTING (EXPOSED TO CEILING)
- 8WATTS PIN LIGHTING WITH 4"Ø HOUSING (EMBEDDED TO CEILING)
- CONVENIENCE OUTLET (2 GANG)
- ACU OUTLET
- REFRIGERATOR
- SPOTLIGHT
- S1 - LIGHTING SWITCH (ONE GANG)
- S2 - LIGHTING SWITCH (TWO GANG)
- S3 - LIGHTING SWITCH (THREE GANG)
- 3WS - LIGHTING SWITCH (THREE WAY SWITCH)
- CIRCUIT HOMERUN
- PANEL BOARD

GENERAL NOTES:

1. ALL ELECTRICAL WORKS SHALL CONFORM WITH THE LATEST EDITION OF PHILIPPINE ELECTRICAL CODE (PEC) WITH THE REQUIREMENTS OF THE UTILITY COMPANIES CONCERNED AND WITH THE LOCAL GOVERNMENT.
2. SERVICE TO THE BUILDING SHALL BE SINGLE PHASE, TWO WIRE, 230 VOLTS.
3. WIRING METHODS SHALL BE AS FOLLOWS:
 - A. INTERMEDIATE METAL CONDUIT (IMC) - USED IN EXPOSED WET LOCATION.
 - B. POLYVINYL CHLORIDE (PVC) - USED WHEN EMBEDDED IN CONCRETE WALL OR MASONRY. PROVIDE ADDITIONAL WIRE SOLELY FOR GROUNDING BONDING OR ELECTRICAL CONTINUITY USE FOR AUXILIARY BRANCH CIRCUIT ONLY.
4. ALL OUTLET BOXES SHALL BE PRESSED GALVANIZED STEEL "DEEP TYPE" GAUGE 16 AND WITH FACTORY KNOCK-OUT.
5. MOUNTING HEIGHT SHALL BE AS FOLLOWS:
 - A. CONVENIENCE OUTLET SHALL BE 0.30M ABOVE LAVATORIES.
 - B. WALL SWITCHES SHALL BE 1.37M. ON CENTER FROM FINISHED FLOOR LEVEL.
6. WHEN NOT INDICATED IN THE DRAWING THE MINIMUM SIZE OF RACEWAY SHALL BE 15MM, WIRE SHALL BE 3.5MM FOR OUTLET AND 2.0MM FOR LIGHTING COPPER WITH TW OR THW INSULATION AS CALLED.
7. ALL WORKS HEREIN SHALL BE DONE UNDER THE STRICT SUPERVISION OF A DULY LICENSED ELECTRICAL ENGINEER.

W CALAMBA WATER DISTRICT
ENGINEERING DEPARTMENT
PLANNING AND DESIGN DIVISION

LAKEVIEW SUBD., HALANG, CALAMBA CITY

PROJECT TITLE:
PROPOSED OFFICE BUILDING RENOVATION

LOCATION:
NHA Office Brgy. Canlubang, Calamba City, Laguna

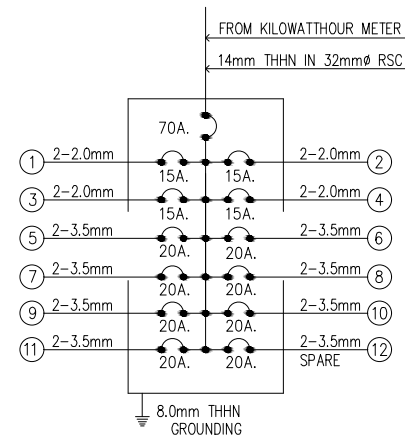
AUTOCAD BY: ANGELO DEL PRADO
DESIGNED BY: ANGELO DEL PRADO
CHECKED BY: ENGR. J. A. GILLERA
RECOMMENDED BY: ENGR. J. A. GILLERA
APPROVED BY: MR. E. A. AGUILAR JR.

SHEET CONTENTS:
ELECTRICAL PLAN
GENERAL NOTES
LEGEND

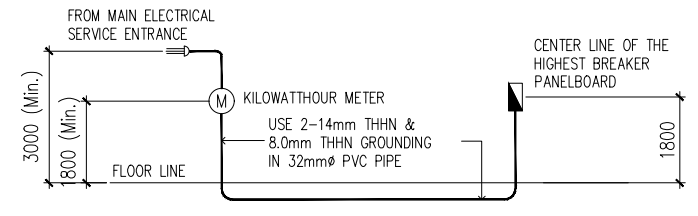
DATE:
SHEET NO.
E-1

SCHEDULE OF LOADS														
CIRCUIT NO.	LOAD DESCRIPTION	NO. OF OUTLETS		SWITCHES				WATTS	AMPERES	VOLTS	BREAKER	WIRES	CONDUITS	
		L.O.	C.O.	S1	S2	S3	3WS							
1	6-100w LIGHTING OUTLET & 1-500w SPOTLIGHT	7		0	2	1	0	1100	4.8	230	15A	3.5mm THHN	15mmØ PVC PIPE	
2	5- 100w LIGHTING OUTLET	5		1	0	1	0	500	2.2	230	15A	3.5mm THHN	15mmØ PVC PIPE	
3	8- 100w LIGHTING OUTLET	8		0	0	1	0	800	3.5	230	15A	3.5mm THHN	15mmØ PVC PIPE	
4	8- 100w LIGHTING OUTLET	8		3	2	0	2	800	3.5	230	15A	3.5mm THHN	15mmØ PVC PIPE	
5	4- CONVENIENCE OUTLET		4					800	3.5	230	20A	3.5mm THHN	15mmØ PVC PIPE	
6	6-CONVENIENCE OUTLET		6					1080	4.7	230	20A	3.5mm THHN	15mmØ PVC PIPE	
7	REFRIGERATOR OUTLET		1					800	3.5	230	20A	3.5mm THHN	15mmØ PVC PIPE	
8	1HP ACU WINDOW TYPE		1					800	8.0	230	30A	3.5mm THHN	15mmØ PVC PIPE	
9	2HP ACU OUTLET-SPLIT TYPE		1					1500	12	230	30A	3.5mm THHN	15mmØ PVC PIPE	
10	2HP ACU OUTLET-SPLIT TYPE		1					1500	12	230	30A	3.5mm THHN	15mmØ PVC PIPE	
11	SPARE AT 500 VA		1					1500	12	230	30A	3.5mm THHN	15mmØ PVC PIPE	
12	SPARE AT 500 VA		1					1500	12	230	30A	3.5mm THHN	15mmØ PVC PIPE	
	TOTAL	28	17	4	4	3	2	12680	83.5	230	125A			

TOTAL CAPACITY = 84 A.
 TYPE OF SERVICE= 1Ø, 3WIRE, 230V.
 WIRE SIZE= 2- 30mm² THHN WIRE +
 1- 14mm² THHN WIRE (G)
 MAIN C.B.= 125 AT IN 32mmØ CONDUIT PIPE



DETAIL OF PANELBOARD



SINGLE LINE RISER DIAGRAM

W CALAMBA WATER DISTRICT
 ENGINEERING DEPARTMENT
 PLANNING AND DESIGN DIVISION

24/7 Public Service

LAKEVIEW SUBD., HALANG, CALAMBA CITY

PROJECT TITLE:
PROPOSED OFFICE BUILDING RENOVATION

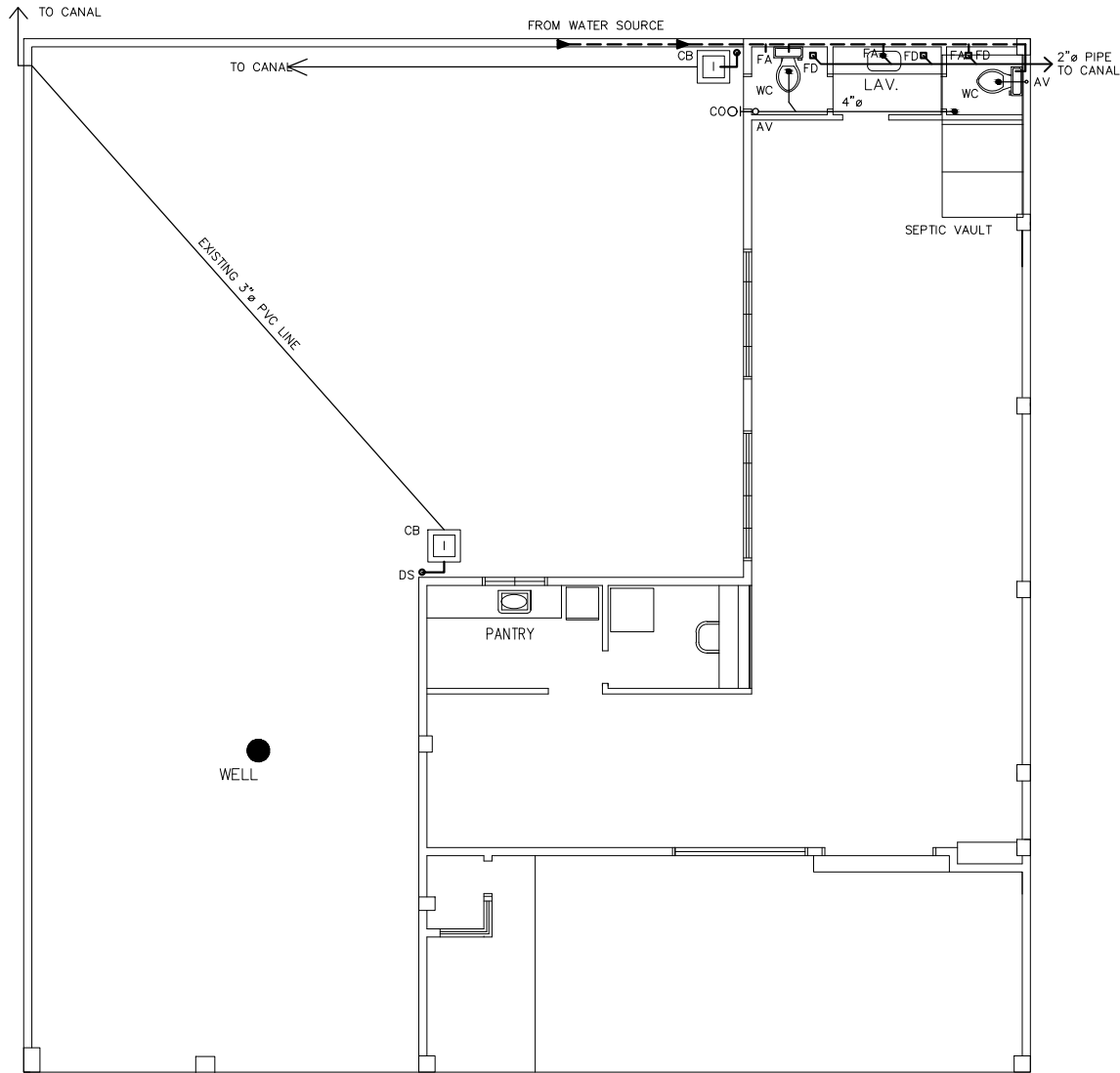
LOCATION:
 NHA Office Brgy. Canlubang, Calamba City, Laguna

AUTOCAD BY: ANGELO DEL PRADO
 DESIGNED BY: ANGELO DEL PRADO
 CHECKED BY: ENGR. J. A. GILLERA
 RECOMMENDED BY: ENGR. J. A. GILLERA
 APPROVED BY: MR. E. A. AGUILAR JR.

SHEET CONTENTS:
 SCHEDULE OF LOADS
 RISER DIAGRAM
 DETAIL OF PANELBOARD

DATE:
 SHEET NO.
E-2

This design or drawing is the sole property of Calamba Water District. No part of this design or drawing may be reproduced or transmitted in any form or by any means without the written consent of its owner.



LEGEND:

- 4" ϕ X 3m SANITARY ORANGE PIPE
- 3" x 3m SANITARY ORANGE PIPE
- 2" ϕ x 3m SANITARY ORANGE PIPE
- 1/2" ϕ PVC PIPE WATER LINE
- WC - WATER CLOSET
- LAV - LAVATORY
- FD - FLOOR DRAIN
- FA - FAUCET
- AV - AIR VENT
- CB - CATCH BASIN
- DS - DOWN SPOUT
- SV - SEPTIC VAULT

 **SEWER & PLUMBING LAYOUT**
SCALE 1:100m.

This design or drawing is the sole property of Calamba Water District. No part of this design or drawing may be reproduced or transmitted in any form or by any means without the written consent of its owner.

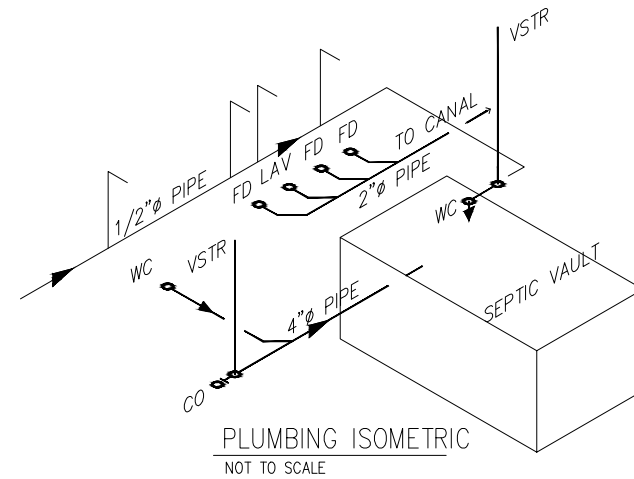
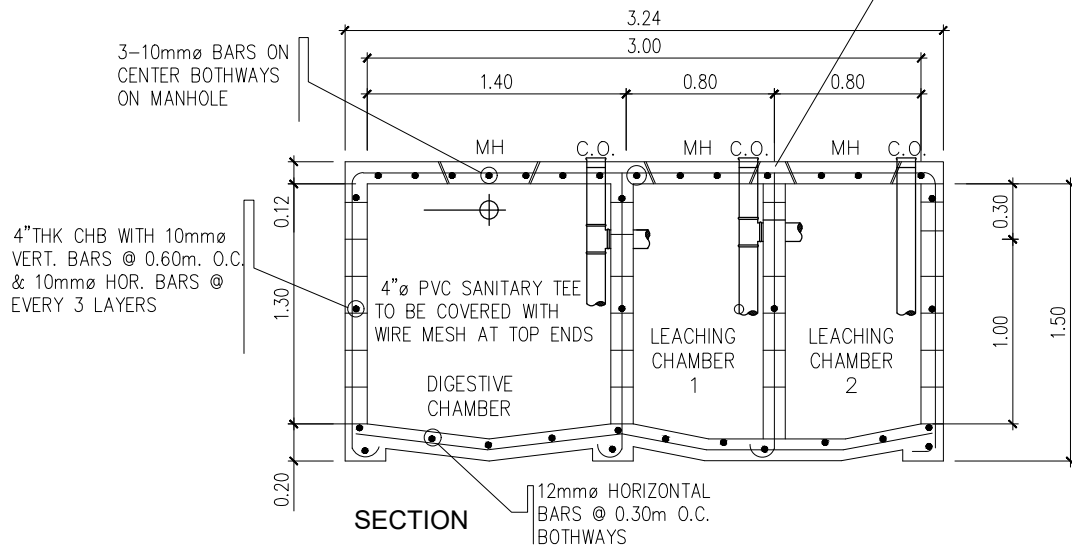
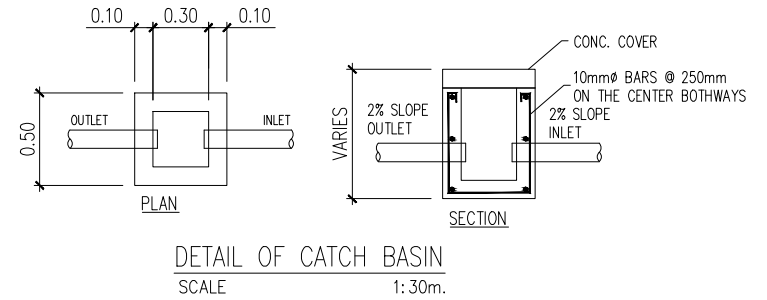
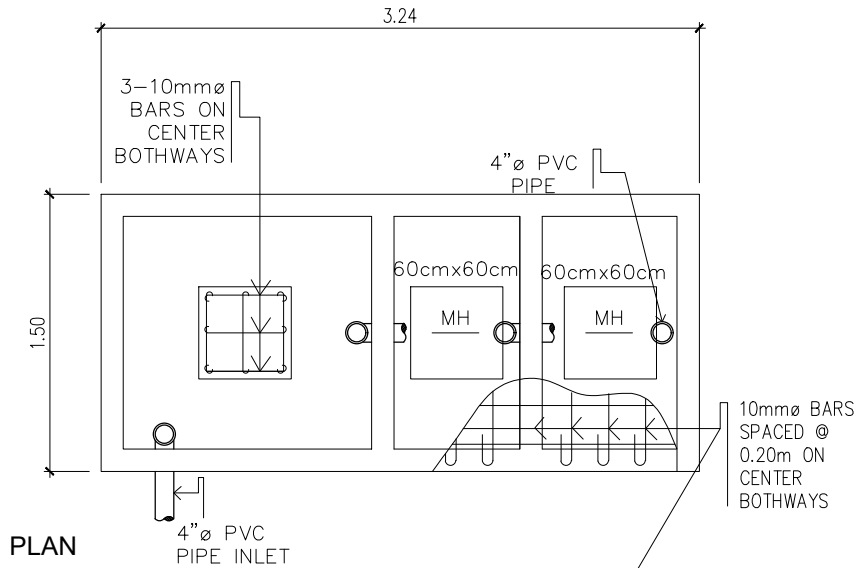


CALAMBA WATER DISTRICT
ENGINEERING DEPARTMENT
PLANNING AND DESIGN DIVISION

LAKEVIEW SUBD., HALANG, CALAMBA CITY

PROJECT TITLE:	AUTOCAD BY: ANGELO DEL PRADO
PROPOSED OFFICE BUILDING RENOVATION	DESIGNED BY: ANGELO DEL PRADO
	CHECKED BY: ENGR. J. A. GILLERA
LOCATION:	RECOMMENDED BY: ENGR. J. A. GILLERA
NHA Office Brgy. Canlubang, Calamba City, Laguna	APPROVED BY: MR. E. A. AGUILAR JR.

SHEET CONTENTS:	DATE:
SEWER & PLUMBING LAYOUT LEGEND	SHEET NO.
	P-1



DETAIL OF CATCH BASIN
SCALE 1:30m.



CALAMBA WATER DISTRICT
ENGINEERING DEPARTMENT
PLANNING AND DESIGN DIVISION

LAKEVIEW SUBD., HALANG, CALAMBA CITY

PROJECT TITLE:
PROPOSED OFFICE BUILDING RENOVATION

LOCATION:
NHA Office Brgy. Canlubang, Calamba City, Laguna

AUTOCAD BY: ANGELO DEL PRADO
DESIGNED BY: ANGELO DEL PRADO
CHECKED BY: ENGR. J. A. GILLERA
RECOMMENDED BY: ENGR. J. A. GILLERA
APPROVED BY: MR. E. A. AGUILAR JR.

SHEET CONTENTS:
DETAIL OF SEPTIC VAULT
DETAIL OF CATCH BASIN
PLUMBING ISOMETRIC

DATE:
SHEET NO.
P-2